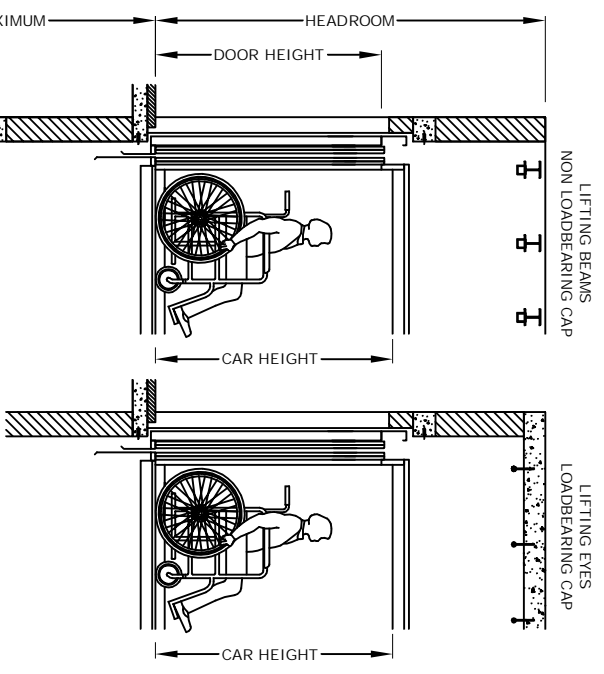




**Oakland
Excelsior**

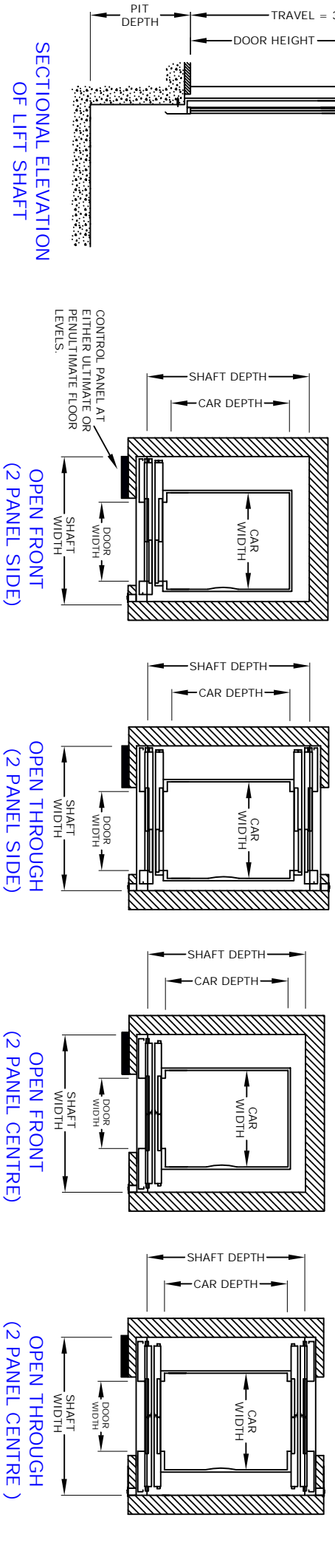
Oakland Excelsior Limited Wandervell Road, Oadby, Leicester LE2 5LO
New Lift Sales
 T: 0116 2720980
 F: 0116 2720904
 E: sales@oakland-excelsior.co.uk
Modernisation and Repairs
 T: 0116 2720600
 F: 0116 2717062
 E: modernisation@oakland-excelsior.co.uk
Maintenance
 T: 0116 2720600
 F: 0116 2717062
 E: maintenance@oakland-excelsior.co.uk

VM2 Passenger Lift Dimensions



Capacity (kg)	Capacity (Persons)	Car Width	Car Depth	Door Width	Door Type (2P50/2PC0)	Door Position (OF/OT)	Shaft Width	Shaft Depth	Shaft Width Minimum	Shaft Width Maximum	Shaft Depth Minimum	Shaft Depth Maximum
630	8	1100	1400	800	2P50	OF	1700	1700	1600	1900	1655	2430
630	8	1100	1400	800	2PC0	OF	1900	1700	1790	1975	1655	2430
630	8	1100	1400	900	2P50	OF	1750	1700	1650	1975	1655	2430
630	8	1100	1400	900	2PC0	OF	2000	1700	1970	2045	1655	2430
630	8	1100	1400	800	2P50	OT	1700	1770	1600	1900	1770	Contract OEL
630	8	1100	1400	800	2PC0	OT	1900	1770	1790	1975	1770	Contract OEL
630	8	1100	1400	900	2P50	OT	1750	1770	1650	1975	1770	Contract OEL
630	8	1100	1400	900	2PC0	OT	2000	1770	1970	2045	1770	Contract OEL
900	12	1400	1500	900	2P50	OF	2000	1800	1900	2430	1755	2530
900	12	1400	1500	900	2PC0	OF	2100	1800	2000	2430	1755	2530
900	12	1400	1500	900	2P50	OT	2000	1870	1900	2430	1870	Contract OEL
900	12	1400	1500	900	2PC0	OT	2100	1870	2000	2430	1870	Contract OEL
1000 (Stretcher)	13	1100	2100	800	2P50	OF	1700	2400	1600	2060	2355	3130
1000 (Stretcher)	13	1100	2100	800	2PC0	OF	1900	2400	1790	2060	2355	2735
1000 (Stretcher)	13	1100	2100	900	2P50	OF	1750	2400	1650	2130	2355	3130
1000 (Stretcher)	13	1100	2100	900	2PC0	OF	2100	2400	1970	2130	2355	2735
1000 (Stretcher)	13	1100	2100	800	2P50	OT	1700	2470	1600	2060	2470	Contract OEL
1000 (Stretcher)	13	1100	2100	800	2PC0	OT	1900	2470	1790	2060	2470	Contract OEL
1000 (Stretcher)	13	1100	2100	900	2P50	OT	1750	2470	1650	2130	2470	Contract OEL
1000 (Stretcher)	13	1100	2100	900	2PC0	OT	2100	2470	1970	2130	2470	Contract OEL

Door Opening Height	Car Height	Headroom with Beams	Headroom with Lifting Eyes	Pit Depth	Pit Minimum	Pit Maximum
2000	2100 (False Spots Only)	3550	3350	1100	1050	1400
2000	2200 (All Ceiling Options)	3650	3450	1100	1050	1400
2100	2300 (All Ceiling Options)	3750	3550	1100	1050	1400

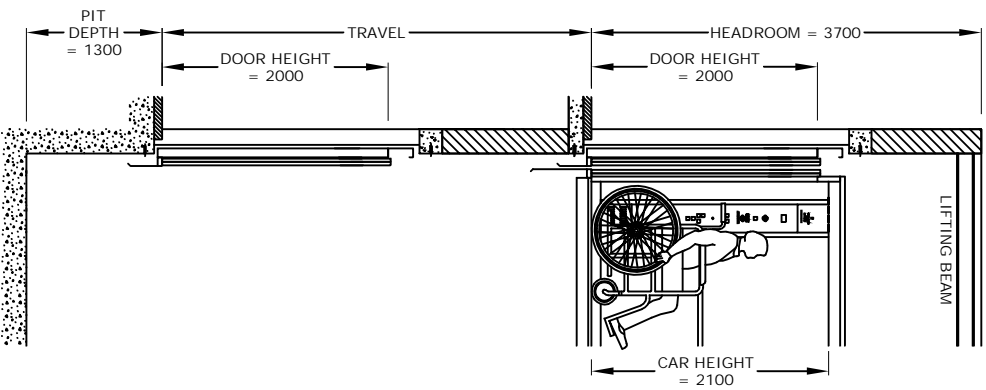




Oakland
Excelsior

Oakland Excelsior Limited Wandervell Road, Oadby, Leicester LE2 5LO
 New Lift Sales T:0116 2720980
 F:0116 2720904
 E:sales@oakland-excelsior.co.uk
 Modernisation and Repairs T:0116 2720600
 F:0116 2717062
 E:modernisation@oakland-excelsior.co.uk
 Maintenance T:0116 2720600
 F:0116 2717062
 E:maintenance@oakland-excelsior.co.uk

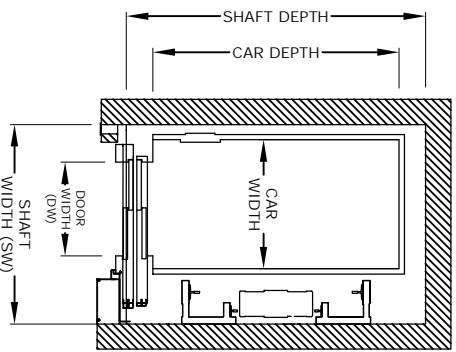
M Range Passenger Lift Dimensions



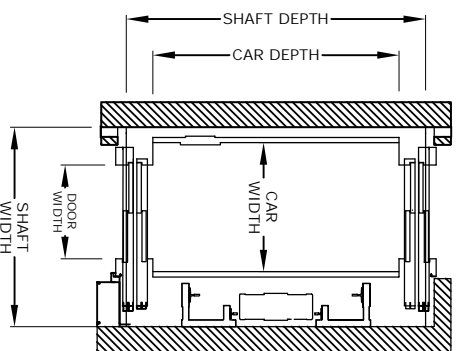
SECTIONAL ELEVATION OF LIFT SHAFT

Capacity (kg)	Capacity (Persons)	Car Width	Car Depth	Door Width	Door Type (2PSO/2PCO)	Door Position (OF/OT)	Shaft Width	Shaft Depth*
630	8	1100	1400	800	2PSO	OF and OT	1700	1850
630	8	1100	1400	800	2PCO	OF and OT	1880	1800
630	8	1100	1400	900	2PSO	OF and OT	1750	1850
630	8	1100	1400	900	2PCO	OF and OT	2050	1800
800	10	1350	1400	800	2PSO	OF and OT	1950	1850
800	10	1350	1400	800	2PCO	OF and OT	1950	1800
800	10	1350	1400	900	2PSO	OF and OT	1950	1850
800	10	1350	1400	900	2PCO	OF and OT	2050	1800
1000	13	1400	1600	800	2PSO	OF and OT	2050	2050
1000	13	1400	1600	800	2PCO	OF and OT	2050	2000
1000	13	1400	1600	900	2PSO	OF and OT	2050	2050
1000	13	1400	1600	900	2PCO	OF and OT	2050	2000
1000 (Stretcher)	13	1100	2100	800	2PSO	OF and OT	1700	2550
1000 (Stretcher)	13	1100	2100	800	2PCO	OF and OT	1880	2550
1000 (Stretcher)	13	1100	2100	900	2PSO	OF and OT	1750	2550
1000 (Stretcher)	13	1100	2100	900	2PCO	OF and OT	2050	2500

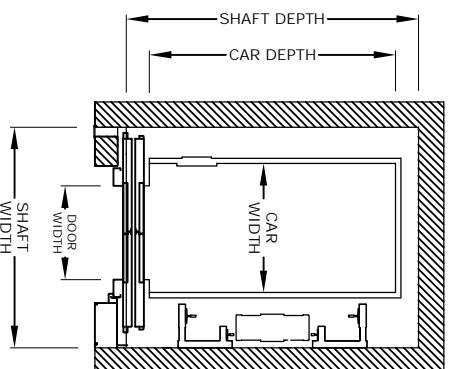
*On open front installations shaft depth can be reduced (2PSO - 100mm and 2PCO - 75mm)



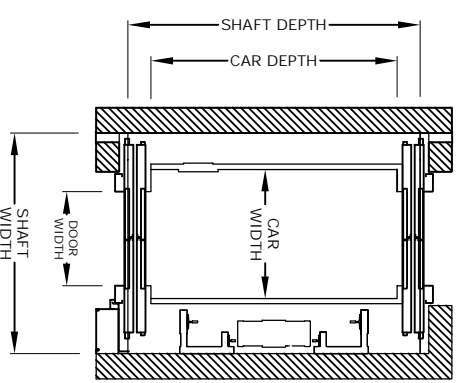
OPEN FRONT (2 PANEL SIDE)



OPEN THROUGH (2 PANEL SIDE)



OPEN FRONT (2 PANEL CENTRE)



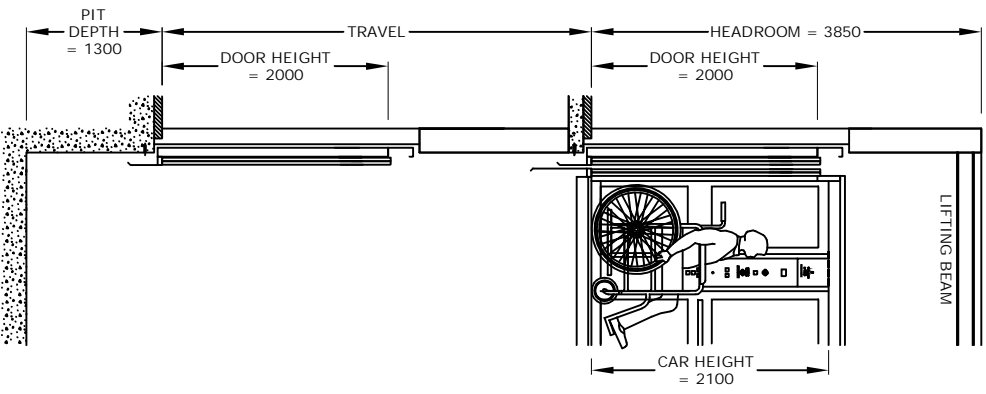
OPEN THROUGH (2 PANEL CENTRE)



Oakland
Excelsior

Oakland Excelsior Limited Mandevell Road, Oadby, Leicester LE2 5LQ
 New Lift Sales T:0116 2720980
 F:0116 2720904
 Es:sales@oakland-excelsior.co.uk
 Modernisation and Repairs T:0116 2720600
 F:0116 2717062
 E:modernisation@oakland-excelsior.co.uk
 Maintenance T:0116 2720600
 F:0116 2717062
 E:maintenance@oakland-excelsior.co.uk

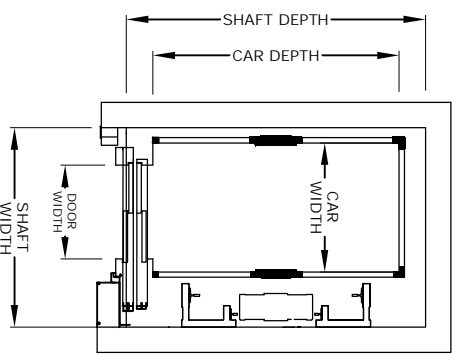
M Range Scenic Passenger Lift Dimensions



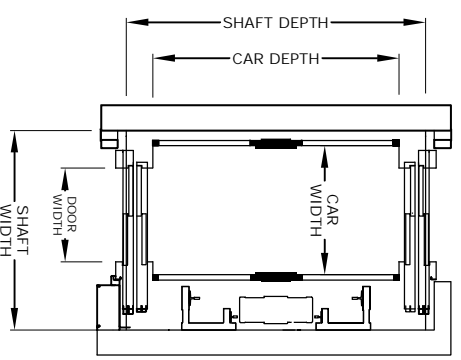
SECTIONAL ELEVATION OF LIFT SHAFT

Capacity (kg)	Capacity (Persons)	Car Width	Car Depth	Door Width	Door Type (2PSSO/2PCCO)	Door Position (OF/OT)	Shaft Width	Shaft Depth*
630	8	1100	1400	800	2PSSO	OF and OT	1700	1850
630	8	1100	1400	800	2PCCO	OF and OT	1880	1800
630	8	1100	1400	900	2PSSO	OF and OT	1750	1850
630	8	1100	1400	900	2PCCO	OF and OT	2050	1800
800	10	1350	1400	800	2PSSO	OF and OT	1950	1850
800	10	1350	1400	800	2PCCO	OF and OT	1950	1800
800	10	1350	1400	900	2PSSO	OF and OT	1950	1850
800	10	1350	1400	900	2PCCO	OF and OT	2050	1800
1000	13	1400	1600	800	2PSSO	OF and OT	2050	2050
1000	13	1400	1600	800	2PCCO	OF and OT	2050	2000
1000	13	1400	1600	900	2PSSO	OF and OT	2050	2050
1000	13	1400	1600	900	2PCCO	OF and OT	2050	2000
1000 (Stretcher)	13	1100	2100	800	2PSSO	OF and OT	1700	2550
1000 (Stretcher)	13	1100	2100	800	2PCCO	OF and OT	1880	2500
1000 (Stretcher)	13	1100	2100	900	2PSSO	OF and OT	1750	2550
1000 (Stretcher)	13	1100	2100	900	2PCCO	OF and OT	2050	2500

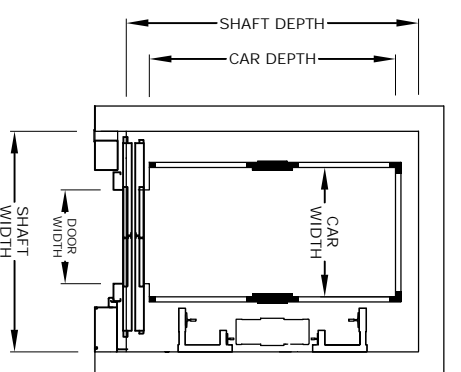
*On open front installations shaft depth can be reduced (2PSSO - 100mm and 2PCCO - 75mm)



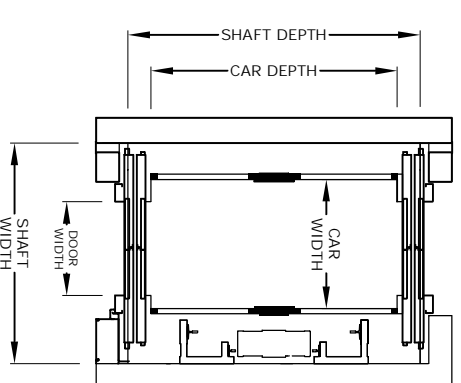
OPEN FRONT (2 PANEL SIDE)



OPEN THROUGH (2 PANEL SIDE)



OPEN FRONT (2 PANEL CENTRE)



OPEN THROUGH (2 PANEL CENTRE)

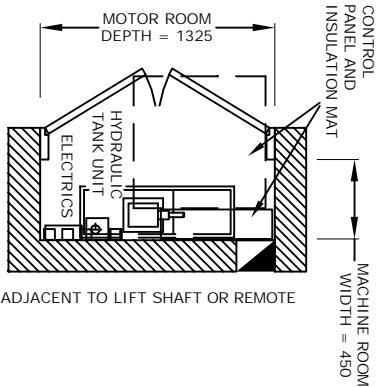
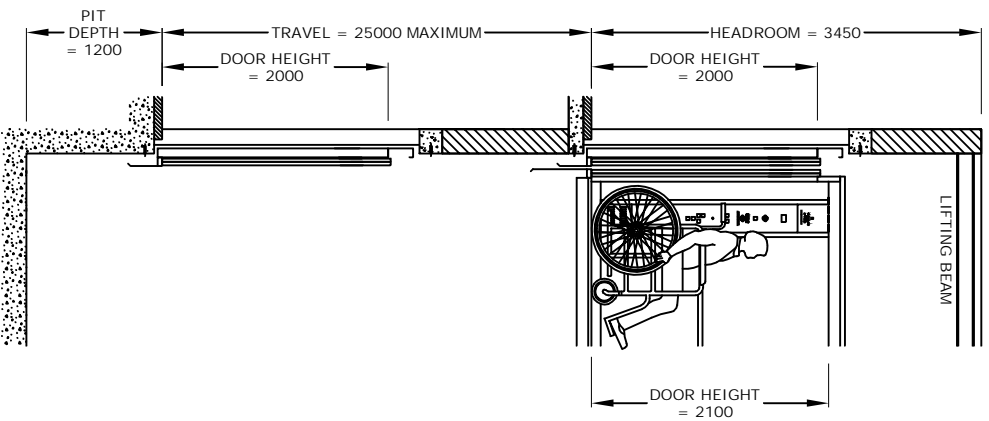


Oakland
Excelsior

Oakland Excelsior Limited Wandervell Road, Oadby, Leicester LE2 5LQ
 New Lift Sales T:0116 2720980
 T:0116 2720980
 F:0116 2720980
 E:sales@oakland-excelsior.co.uk
 Modernisation and Repairs T:0116 2720600
 T:0116 2720600
 F:0116 2717062
 E:modernisation@oakland-excelsior.co.uk
 Maintenance T:0116 2720600
 T:0116 2717062
 F:0116 2717062
 E:maintenance@oakland-excelsior.co.uk

Hydraulic 1000 Series Passenger Lift Dimensions

Spacesaver Machine Room

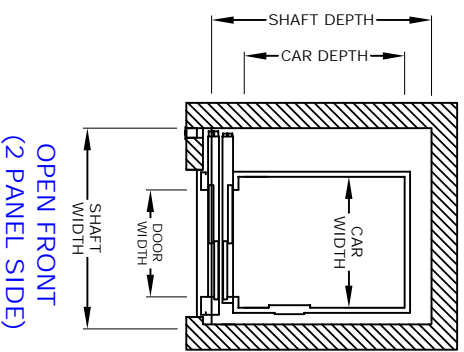


TYPICAL MACHINE ROOM ARRANGEMENT

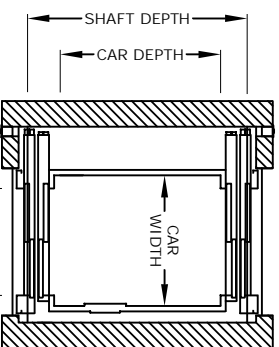
(Minimum Room Height = 2140mm)

Room can be adjacent on any non entrance wall or remote from the lift shaft.

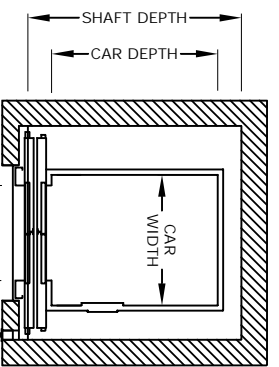
SECTIONAL ELEVATION OF LIFT SHAFT



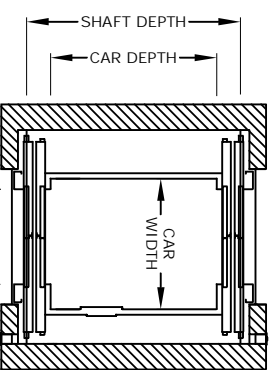
OPEN FRONT (2 PANEL SIDE)



OPEN THROUGH (2 PANEL SIDE)



OPEN FRONT (2 PANEL CENTRE)



OPEN THROUGH (2 PANEL CENTRE)

Capacity (Kg)	Capacity (Persons)	Car Width	Car Depth	Door Width	Door Type (2P/CO/2P/CO)	Door Position (OF/OT)	Shaft Width	Shaft Depth**
400*	5*	900	1200	800	2P/CO	OF and OT	1650	1700
400*	5*	900	1200	800	2P/CO	OF and OT	1800	1650
630	8	1100	1400	800	2P/CO	OF and OT	1650	1850
630	8	1100	1400	800	2P/CO	OF and OT	1800	1800
630	8	1100	1400	900	2P/CO	OF and OT	1650	1850
630	8	1100	1400	900	2P/CO	OF and OT	2000	1800
800	10	1350	1400	800	2P/CO	OF and OT	1900	1850
800	10	1350	1400	800	2P/CO	OF and OT	1900	1800
800	10	1350	1400	900	2P/CO	OF and OT	1900	1850
800	10	1350	1400	900	2P/CO	OF and OT	2000	1800
1000	13	1400	1600	800	2P/CO	OF and OT	2000	2050
1000	13	1400	1600	800	2P/CO	OF and OT	2000	2000
1000	13	1400	1600	900	2P/CO	OF and OT	2000	2050
1000	13	1400	1600	900	2P/CO	OF and OT	2000	2000
1000 (Stretcher)	13	1100	2100	800	2P/CO	OF and OT	1650	2550
1000 (Stretcher)	13	1100	2100	800	2P/CO	OF and OT	1800	2500
1000 (Stretcher)	13	1100	2100	900	2P/CO	OF and OT	1650	2550
1000 (Stretcher)	13	1100	2100	900	2P/CO	OF and OT	2000	2500

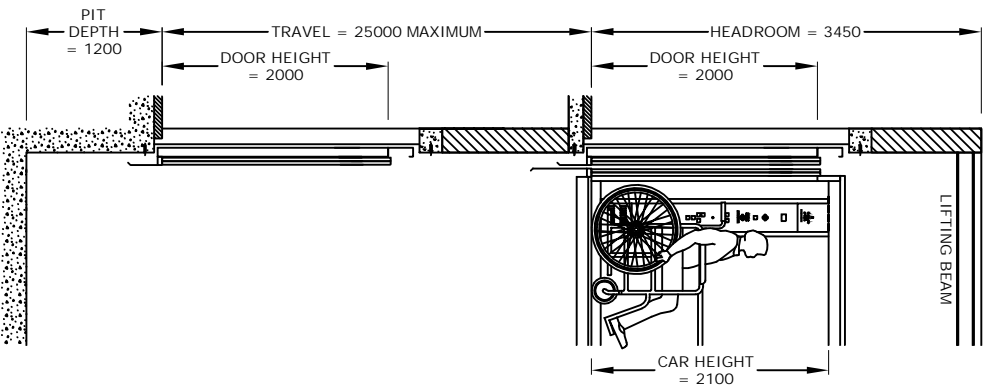
**This lift car size is not suitable for compliance with part m of the building regulations
 **On open front installations shaft depth can be reduced (2P/CO - 100mm and 2P/CO - 75mm)



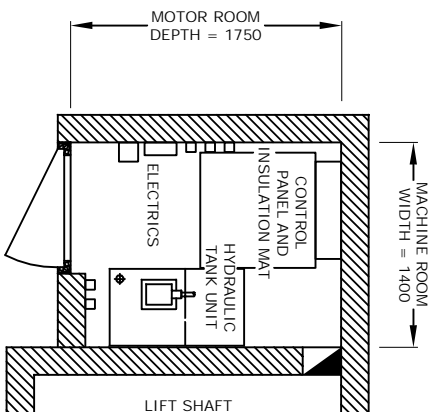
Oakland
Excelsior

Oakland Excelsior Limited Mandevell Road, Oadby, Leicester LE2 5LQ
 New Lift Sales T:0116 2720980
 T:0116 2720600
 F:0116 2720904
 E:sales@oakland-excelsior.co.uk
 Modernisation and Repairs T:0116 2720600
 F:0116 2717062
 E:modernisation@oakland-excelsior.co.uk
 Maintenance T:0116 2720600
 F:0116 2717062
 E:maintenance@oakland-excelsior.co.uk

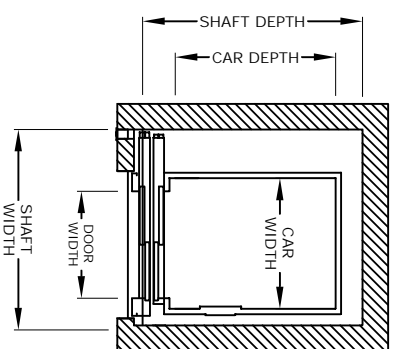
Hydraulic 1000 Series Passenger Lift Dimensions



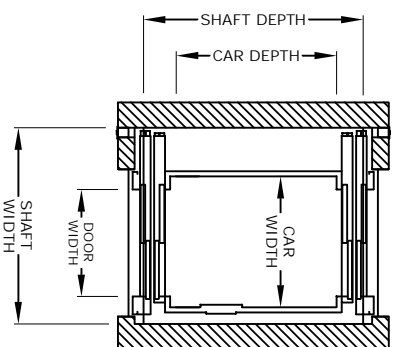
SECTIONAL ELEVATION
OF LIFT SHAFT



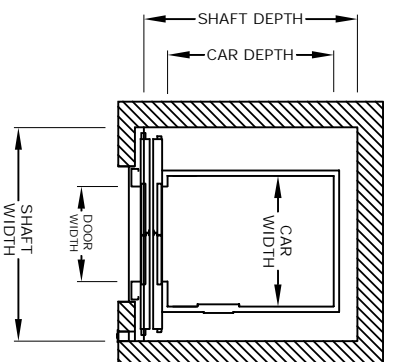
TYPICAL MACHINE ROOM
ARRANGEMENT
(Minimum Room Height = 2140mm)



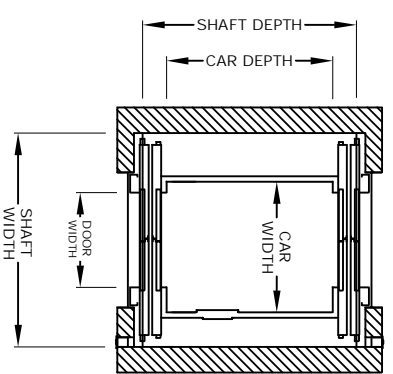
OPEN FRONT
(2 PANEL SIDE)



OPEN THROUGH
(2 PANEL SIDE)



OPEN FRONT
(2 PANEL CENTRE)



OPEN THROUGH
(2 PANEL CENTRE)

Capacity (kg)	Capacity (Persons)	Car Width	Car Depth	Door Width	Door Type (2PSO/2PCO)	Door Position (OF/OT)	Shaft Width	Shaft Depth
400*	5*	900	1200	800	2PSO	OF and OT	1650	1700
400*	5*	900	1200	800	2PCO	OF and OT	1800	1650
630	8	1100	1400	800	2PSO	OF and OT	1650	1850
630	8	1100	1400	800	2PCO	OF and OT	1800	1800
630	8	1100	1400	900	2PSO	OF and OT	1650	1850
630	8	1100	1400	900	2PCO	OF and OT	2000	1800
800	10	1350	1400	800	2PSO	OF and OT	1900	1850
800	10	1350	1400	800	2PCO	OF and OT	1900	1800
800	10	1350	1400	900	2PSO	OF and OT	1900	1850
800	10	1350	1400	900	2PCO	OF and OT	2000	1800
1000	13	1400	1600	800	2PSO	OF and OT	2000	2050
1000	13	1400	1600	800	2PCO	OF and OT	2000	2000
1000	13	1400	1600	900	2PSO	OF and OT	2000	2050
1000	13	1400	1600	900	2PCO	OF and OT	2000	2000
1000 (Stretcher)	13	1100	2100	800	2PSO	OF and OT	1650	2550
1000 (Stretcher)	13	1100	2100	800	2PCO	OF and OT	1800	2500
1000 (Stretcher)	13	1100	2100	900	2PSO	OF and OT	1650	2550
1000 (Stretcher)	13	1100	2100	900	2PCO	OF and OT	2000	2500

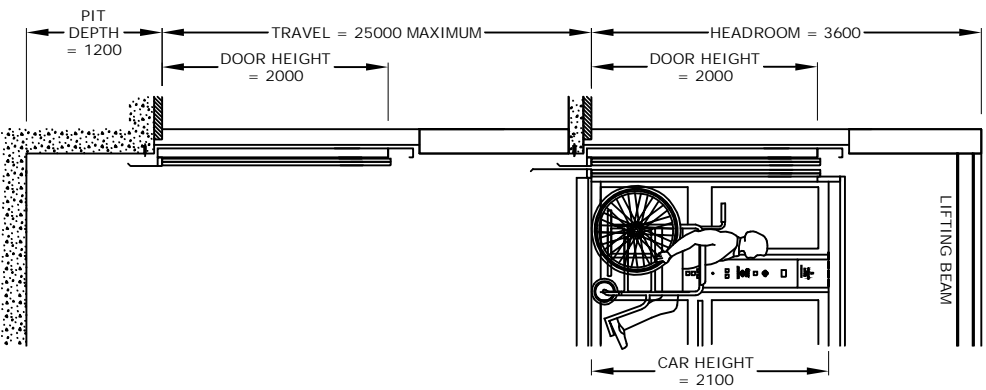
*This lift car size is not suitable for compliance with part m of the building regulations
 **On open front installations shaft depth can be reduced (2PSO - 100mm and 2PCO - 75mm)



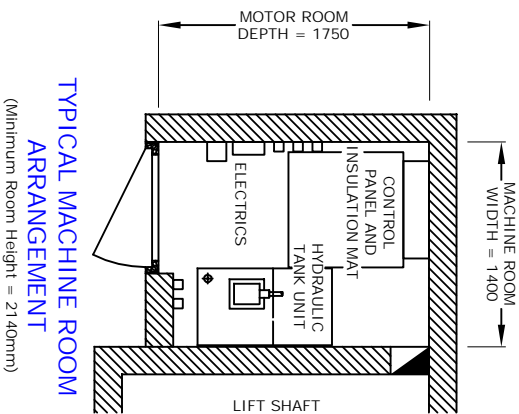
Oakland
Excelsior

Oakland Excelsior Limited Wandervell Road, Oadby, Leicester LE2 5LQ
 New Lift Sales T:0116 2720980
 T:0116 2720600
 F:0116 2720904
 Es:sales@oakland-excelsior.co.uk
 Modernisation and Repairs T:0116 2720600
 F:0116 2717062
 E:modernisation@oakland-excelsior.co.uk
 Maintenance T:0116 2720600
 F:0116 2717062
 E:maintenance@oakland-excelsior.co.uk

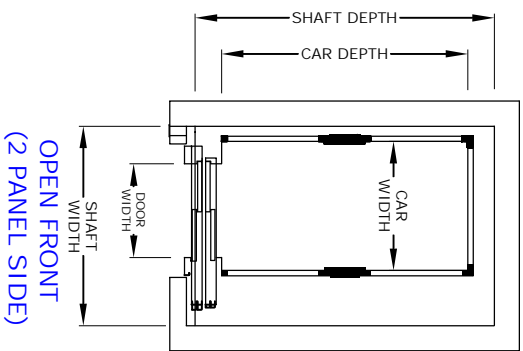
Hydraulic 1000 Series Scenic Passenger Lift Dimensions



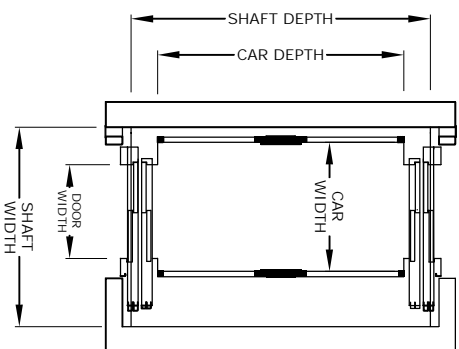
SECTIONAL ELEVATION
OF LIFT SHAFT



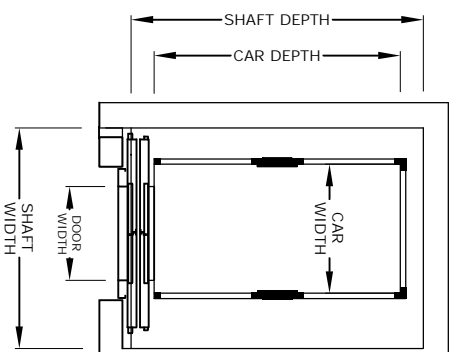
TYPICAL MACHINE ROOM
ARRANGEMENT
(Minimum Room Height = 2140mm)



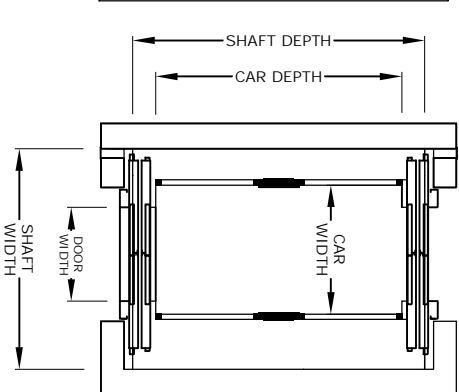
OPEN FRONT
(2 PANEL SIDE)



OPEN THROUGH
(2 PANEL SIDE)



OPEN FRONT
(2 PANEL CENTRE)



OPEN THROUGH
(2 PANEL CENTRE)

Capacity (kg)	Capacity (Persons)	Car Width	Car Depth	Door Width	Door Type (2PSO/2PCO)	Door Position (OF/OT)	Shaft Width	Shaft Depth**
400*	5*	900	1200	800	2PSO	OF and OT	1650	1700
400*	5*	900	1200	800	2PCO	OF and OT	1800	1650
630	8	1100	1400	800	2PSO	OF and OT	1650	1850
630	8	1100	1400	800	2PCO	OF and OT	1800	1800
630	8	1100	1400	900	2PSO	OF and OT	1650	1850
630	8	1100	1400	900	2PCO	OF and OT	2000	1800
800	10	1350	1400	800	2PSO	OF and OT	1900	1850
800	10	1350	1400	800	2PCO	OF and OT	1900	1800
800	10	1350	1400	900	2PSO	OF and OT	1900	1850
800	10	1350	1400	900	2PCO	OF and OT	2000	1800
1000	13	1400	1600	800	2PSO	OF and OT	2000	2050
1000	13	1400	1600	800	2PCO	OF and OT	2000	2000
1000	13	1400	1600	900	2PSO	OF and OT	2000	2050
1000	13	1400	1600	900	2PCO	OF and OT	2000	2000
1000 (Stretcher)	13	1100	2100	800	2PSO	OF and OT	1650	2550
1000 (Stretcher)	13	1100	2100	800	2PCO	OF and OT	1800	2500
1000 (Stretcher)	13	1100	2100	900	2PSO	OF and OT	1650	2550
1000 (Stretcher)	13	1100	2100	900	2PCO	OF and OT	2000	2500

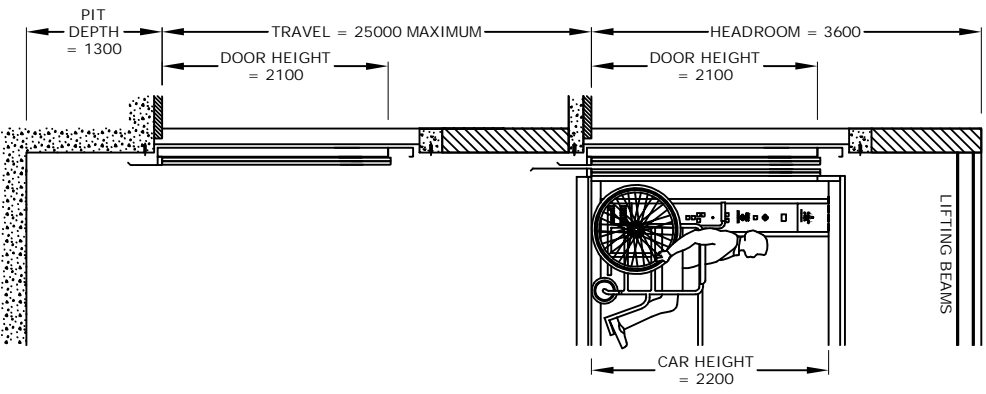
*This lift car size is not suitable for compliance with part m of the building regulations.
 **On open front installations shaft depth can be reduced (2PSO - 100mm and 2PCO - 75mm)



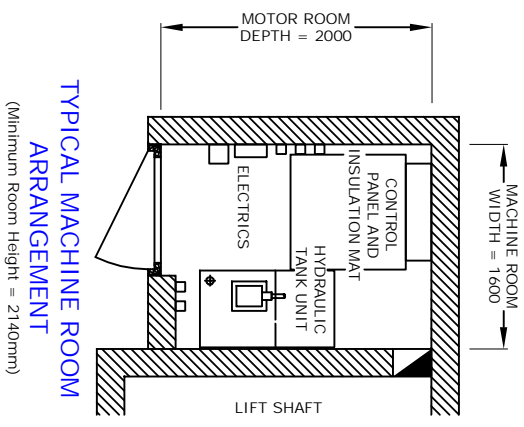
Oakland
Excelsior

Oakland Excelsior Limited Mandevell Road, Oadby, Leicester LE2 5LQ
 New Lift Sales T:0116 2720980
 T:0116 2720600
 F:0116 2720904
 E:sales@oakland-excelsior.co.uk
 Modernisation and Repairs T:0116 2720600
 F:0116 2717062
 E:modernisation@oakland-excelsior.co.uk
 Maintenance T:0116 2720600
 F:0116 2717062
 E:maintenance@oakland-excelsior.co.uk

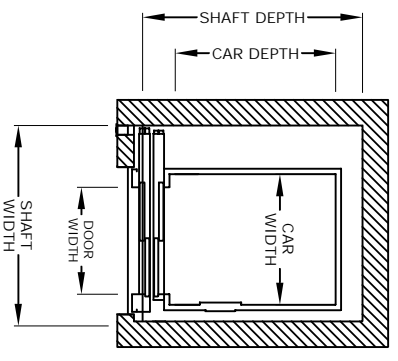
Hydraulic 2000 & 3000 Series Passenger Lift Dimensions



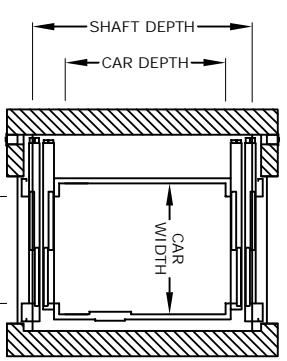
SECTIONAL ELEVATION OF LIFT SHAFT



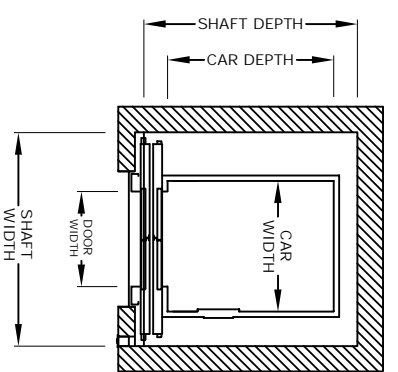
TYPICAL MACHINE ROOM ARRANGEMENT (Minimum Room Height = 2140mm)



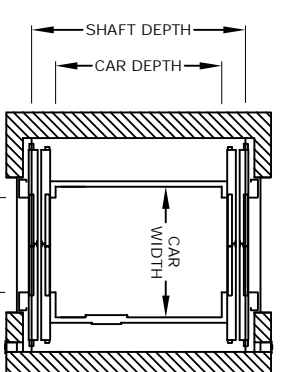
OPEN FRONT (2 PANEL SIDE)



OPEN THROUGH (2 PANEL SIDE)



OPEN FRONT (2 PANEL CENTRE)



OPEN THROUGH (2 PANEL CENTRE)

Capacity (kg)	Capacity (Persons)	Car Width	Car Depth	Door Width	Door Type (2PSO/2PCO)	Door Position (OF/OT)	Shaft Width	Shaft Depth**
1275 (Stretcher)	17	1400	2000	1100	2PSO	OF and OT	2300	2450
1275 (Stretcher)	17	1400	2000	1100	2PCO	OF and OT	2400	2400
1275*	17	2000	1400	1100	2PSO	OF and OT	2900	1850
1275*	17	2000	1400	1100	2PCO	OF and OT	2900	1800
1500	20	1600	2000	1100	2PSO	OF and OT	2500	2450
1500	20	1600	2000	1100	2PCO	OF and OT	2500	2400
1600	21	1700	2000	1100	2PSO	OF and OT	2600	2450
1600	21	1700	2000	1100	2PCO	OF and OT	2600	2400
2000	26	1700	2500	1300	2PSO	OF and OT	2600	2950
2000	26	1700	2500	1300	2PCO	OF and OT	2800	2900
2500	33	2000	2500	1300	2PSO	OF and OT	2900	2950
2500	33	2000	2500	1300	2PCO	OF and OT	2900	2900
3000	40	2000	3000	1300	2PSO	OF and OT	2900	3450
3000	40	2000	3000	1300	2PCO	OF and OT	2900	3400

*This option is not available on travel dimension exceeding 6000mm
 **On open front installations shaft depth can be reduced (2PSO - 100mm and 2PCO - 75mm)